

plastic, with swing safety couplings DN 7.2, »R-SC/C« series

2 or 3-way distributor socket made of high-strength glass fibre-reinforced plastic (PA6 GF 30) for a wide range of applications. Available with 2 or 3 pre-assembled, swing safety couplings and 2 inlet thread sizes for input and output threads (Not combinable). All distributor sockets have a durable brass threaded insert, whose shape secures it against rotation and against axial shift due to its shape. Drilling diagram dimensions are identical for all distributor sockets, so a simpler and more flexible exchange replacement.

Caution:

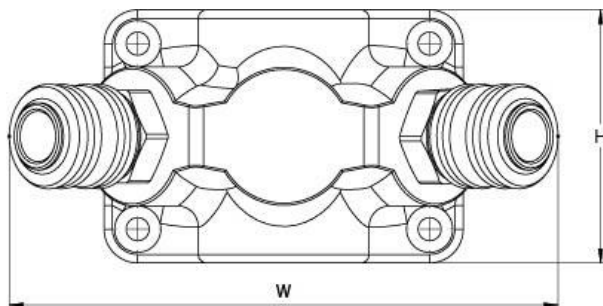
Note that the distributor sockets should not be installed in danger zones. Danger zones are, for example, transport routes, escape routes, etc.

Max. operating pressure	12 bar
Temperature range	-10 °C to 50 °C
Housing	Glass fibre-reinforced plastic
Thread material	Brass
Max. tightening torque brass thread	12 Nm
Max. tightening torque mounting holes	4 Nm



End distributor socket without through-hole thread, with swing safety couplings DN 7.2

Art. No.	Type No.	Inlet thread	Coupling	Width mm	Height mm
142178	EVDSCH12-2	G 1/2	2 x swing safety coupling	165.0	59.0
142180	EVDSCH12-3	G 1/2	3 x swing safety coupling	165.0	59.0



EVDSCH12-2

Installation location

The installation location of the quick-connect coupling must be selected so that the health of the person operating it cannot be harmed by sources of danger in the immediate surroundings, e.g. from slipping, jamming, contaminating or burning.

Low pressure applications

Threads for low-pressure applications are, if series-related no corresponding coatings or sealing rings are present, to be provided with suitable sealing materials, such as a PTFE belt or liquid sealing agent. Here the resistance to the flowing medium must be paid attention to.

Service manual

Quick-connect couplings are predominantly maintenance-free, if used in standard applications and handled carefully. The selection of the quick-connect coupling must be compatible with the intended purpose of use and material. Depending on the operating conditions it is recommended to provide the following points during maintenance:

External visual inspection with dirt in the functioning area of coupling and plug (seal area, control elements) these must be cleaned. The following distinguishing symptoms require replacement of the corresponding parts: Torn, damaged, heavily damaged or corroded parts, leaks on coupling and / or plug parts.

Function test under maximum Max. operating pressure can be used to test the quick-connect coupling for possible malfunctions and leaks. During the testing and operating phase it must be ensured that the operating personnel work protected.

Replacement intervals for quick-connect couplings must, if available, be adapted to the state or technical standards. However, also operating experiential values, which result from the required operational safety and the conditions of use, such as downtimes, coupling frequency, Max. operating pressure and properties of the medium, are critical for establishing the replacement intervals.

Pulsating tool

When using pulsating tools it is recommended to observe the standard ISO 6150, § 7.1. It recommends installing a minimum 300 mm long, flexible hose between the pulsating tool and the quick-connect coupling. The oscillating forces are taken by the hose piece and thus increase the service life of the quick-connect coupling. No warranty can be made for couplings mounted directly on pulsating tools.

Flow direction

The recommended flow direction is from the coupling to the plug if nothing else is specified in the technical data sheet.



Application with hoses

When using hoses the permissible Max. operating pressure and the working temperature must absolutely be observed and suitable hose connections must be seen to.

Drilling Template for cutting out:

